



CLASS 3 RAINGEAR

Class 3 Rain Coat, Jacket & Pants

OrangeGear™ Class 3 Raingear is made with a waterproof PVC shell and polyester lining. Reflective safety stripes are heat-transferred and all other seams are water-proofed.

All Rain Jackets have a double-closure using a recessed zipper and snap buttons down the front of chest. Both left and right waist pockets are waterproof with a flap at the opening. For additional protection, the roll-away hood is oversized with a drawcord and both wrists are cinched.

Rain Pants are also cinched with an elastic waistband and adjustable drawcord. These high-visibility safety pants have two deep outside pockets and zippered ankles to accommodate a variety of footwear.



OGRC130L-3



OGRJ150L-3



OGRJ150L-3

JACKET FEATURES

- 2" Premium Heat-Transferred Reflective Tape
- 1 Horizontal Waist Stripe
- 2 Vertical Chest Stripes
- 2 Stripes on each Sleeve
- Left and Right Covered Waist Pockets
- Elastic Wrists and Adjustable Hood

CLOTHING MATERIAL

- Premium Waterproof PVC
- Water-Resistant Polyester

COLOR

- High-Visibility Green

PANTS FEATURES

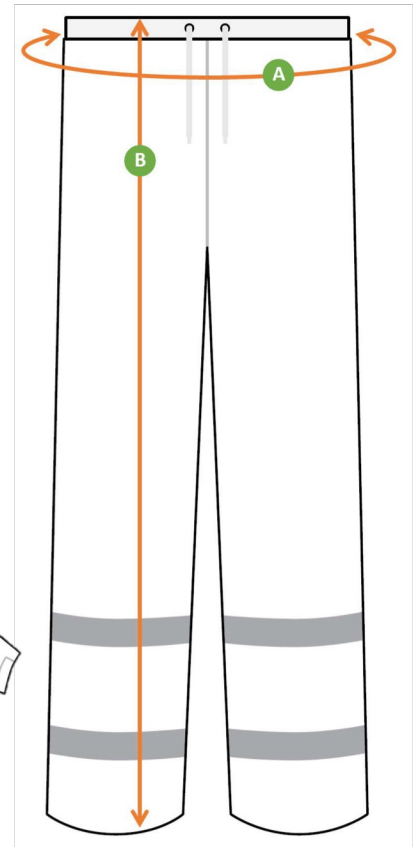
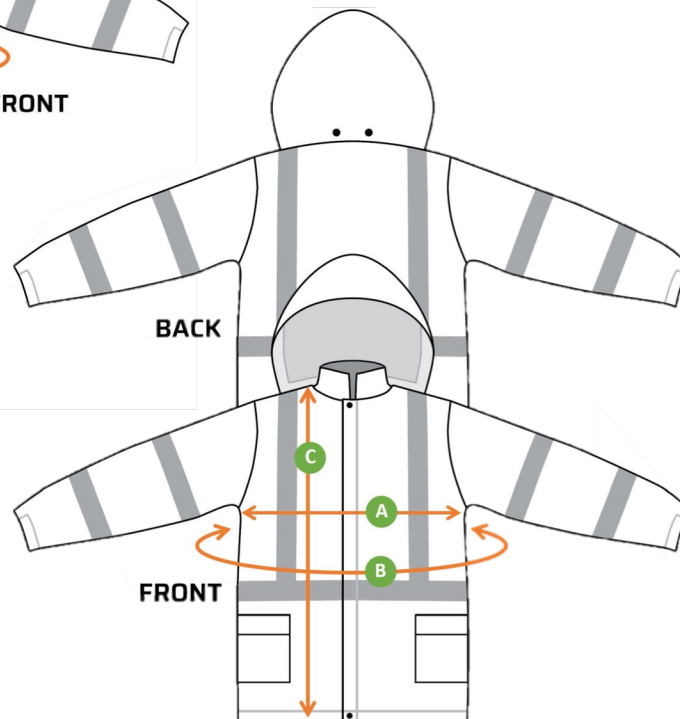
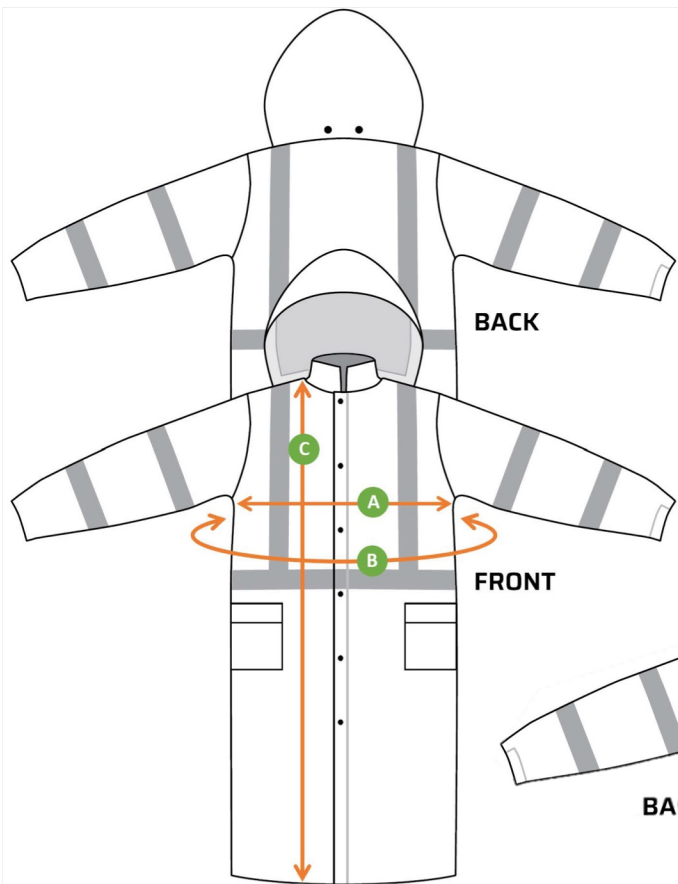
- 2" Premium Heat-Transferred Reflective Tape
- 2 Horizontal Ankle Stripes
- Elastic and Adjustable Waist
- Left and Right Waist Pockets
- Zippered Ankle Openings

See more detailed dimensions/data on back

orangegear.com

CLASS 3 RAINGEAR

Class 3 Rain Coat, Jacket & Pants



RAIN COAT SIZE DIMENSIONS	M	L	XL	2X	3X	4X	5X
● Chest Width (Flat)	21.5	22.75	24	25.25	26.5	27.5	28.75
● Chest Circumference	25.5	27.5	29.5	31.5	33.5	35.5	37.5
● Length from Shoulder	47.75	48.75	49.75	50.75	51.75	52.75	53.75
RAIN JACKET SIZE DIMENSIONS	M	L	XL	2X	3X	4X	5X
● Chest Width (Flat)	21.5	22.75	24	25.25	26.5	27.5	28.75
● Chest Circumference	25.5	27.5	29.5	31.5	33.5	35.5	37.5
● Length from Shoulder	32	33	34	35	36	37	38
RAIN PANTS SIZE DIMENSIONS	M	L	XL	2X	3X	4X	5X
● Elastic Waist	31 - 34	35 - 38	39 - 42	43 - 46	47 - 50	51 - 54	55 - 58
● Inseam	28	29	30	31	32	33	33.75